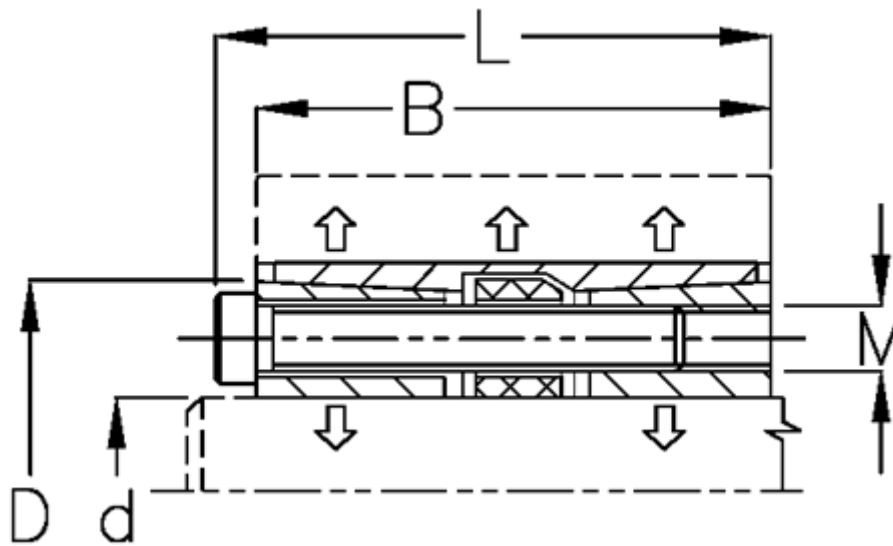


Article number: 439000100

Description: Rota-fix shaft-hub connection G100x145

Note: Self centering - very high torque

Measures



B mm	= 122
d H8 mm	= 100
D mm	= 145
Fit tolerance	= Aksel h8, Nav H8
F kN torque	= 570
L mm	= 134
M mm	= M12
P N/mm ² surface pressure on shaft/hub	= 80

Surface roughness	= R? ? 3.2 μ m
T N m torque	= 26000
Ts N m bolt tightening torque	= 145